

# GreenGator 200

## Intra-Flow Processing Technology™ (Patent Pending)

Introducing the GreenGator stand-alone, fully integrated, fully compatible and fully capable plastic processing and material re-purposing plants! There is no other technology in the world today that can process plastic waste the way our technology does... and that's a benefit to all of us, and the planet.

Our secret sauce is in the functionality of the machines and in how we get the machines to do what they do - process all plastics - and turn it into reusable products for you and me.

The GreenGator 200 is capable of processing over 750 pounds of plastic waste per hour and can consume for re-purposing over 3.8 million pounds of plastic waste per year! 2-3 employees are needed to operate this plant.

**Basic Plant Configuration:** A single compounding extruder with a single carousel for product tooling.

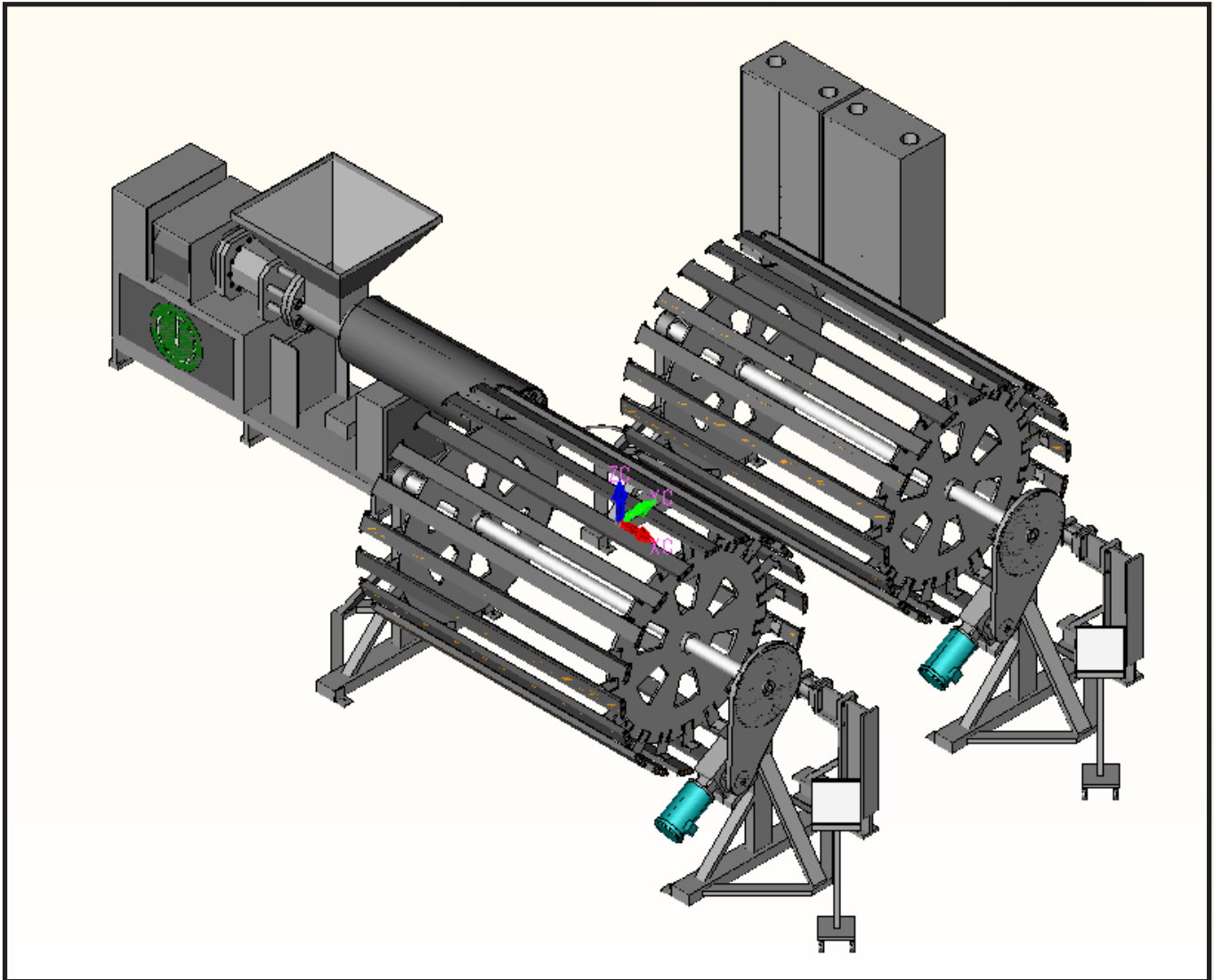
Major Features	Included	Optional
<b>Categories of Plastic Materials</b> (Categories 1 - 7)	Yes	
<b>Large feed throat area</b> (Improving Feed Speed Times)	Yes	
<b>Variable Content Manager</b> (Identification of Material Mixtures)	N/A	
<b>Continuous Mix Feed</b> (In-Process Mixture of Various Materials)	Yes	
<b>Homogenization Process</b> (Ensuring Clean Materials)	Yes	
<b>Contaminated Material Processing</b> (Most Contaminants)	Yes	
<b>Direct Material Feed</b> (Feed Shredded Materials)	Yes	
<b>Processing Volume</b>	750 lb./hour	
<b>Compounding and Pumping Extruder</b>	1	
<b>Product Tool Carousel</b>	2	
<b>Product Tooling</b>		40 station tooling



**GREENABLE**  
TECHNOLOGY GROUP INC.

401 CAVENDISH DRIVE  
WATERLOO, ON, CANADA N2T 2N6  
T: 519.883.4171  
[GREENABLETECHNOLOGYGROUP.COM](http://GREENABLETECHNOLOGYGROUP.COM)

# GreenGator 200



CREATING A **GREENER** TOMORROW.